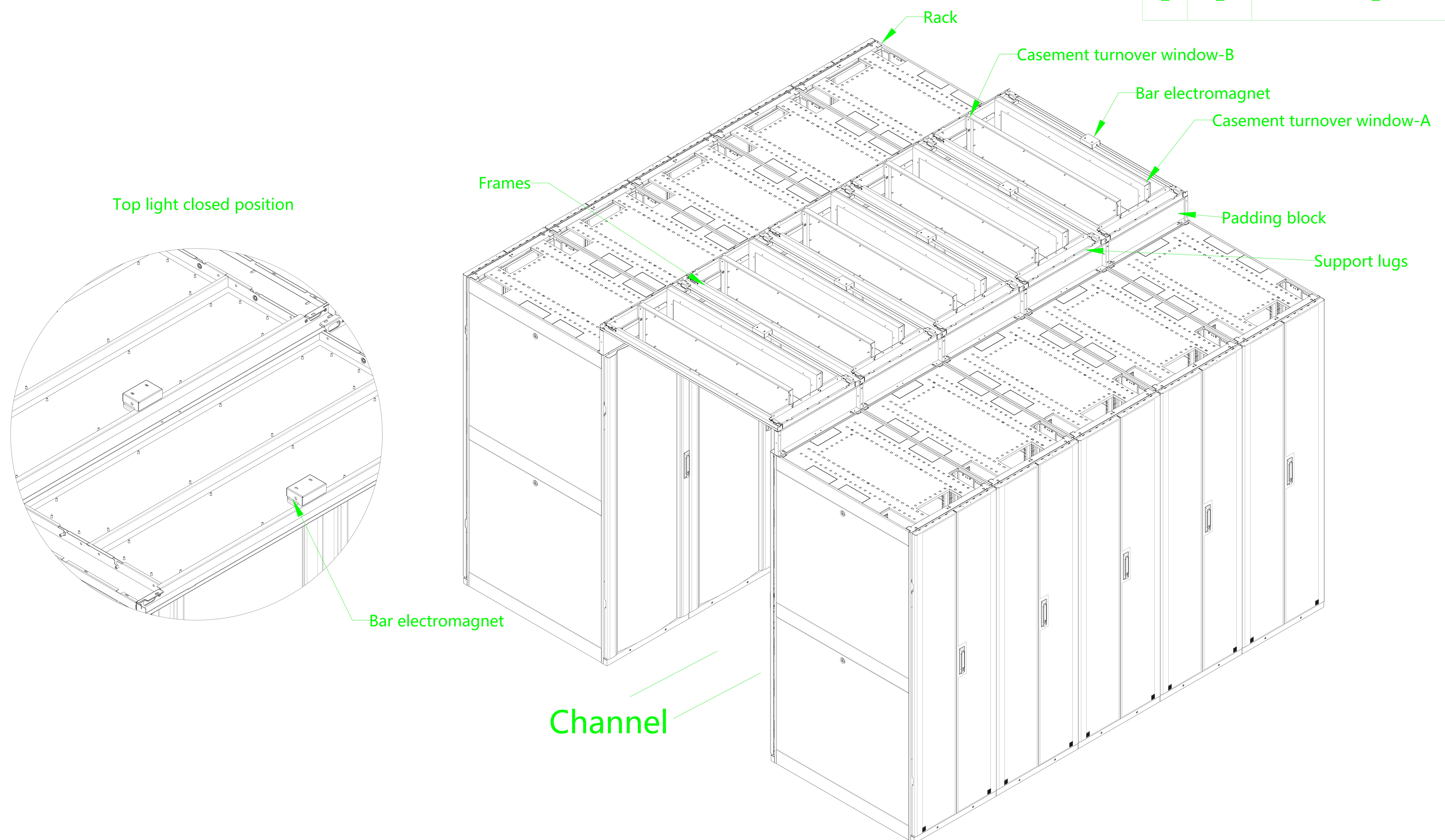


ECN/ECO			
REV.	DATE	Desp.	Sign
-	-	-	-
-	-	-	-



Tolerances/Tolerance ISO 2768-M	>0.5=3	±0.1
	>3=6	±0.1
	>6=30	±0.2
	>30=120	±0.3
	>120=400	±0.5
>400=1000	±0.8	

Remarks section:

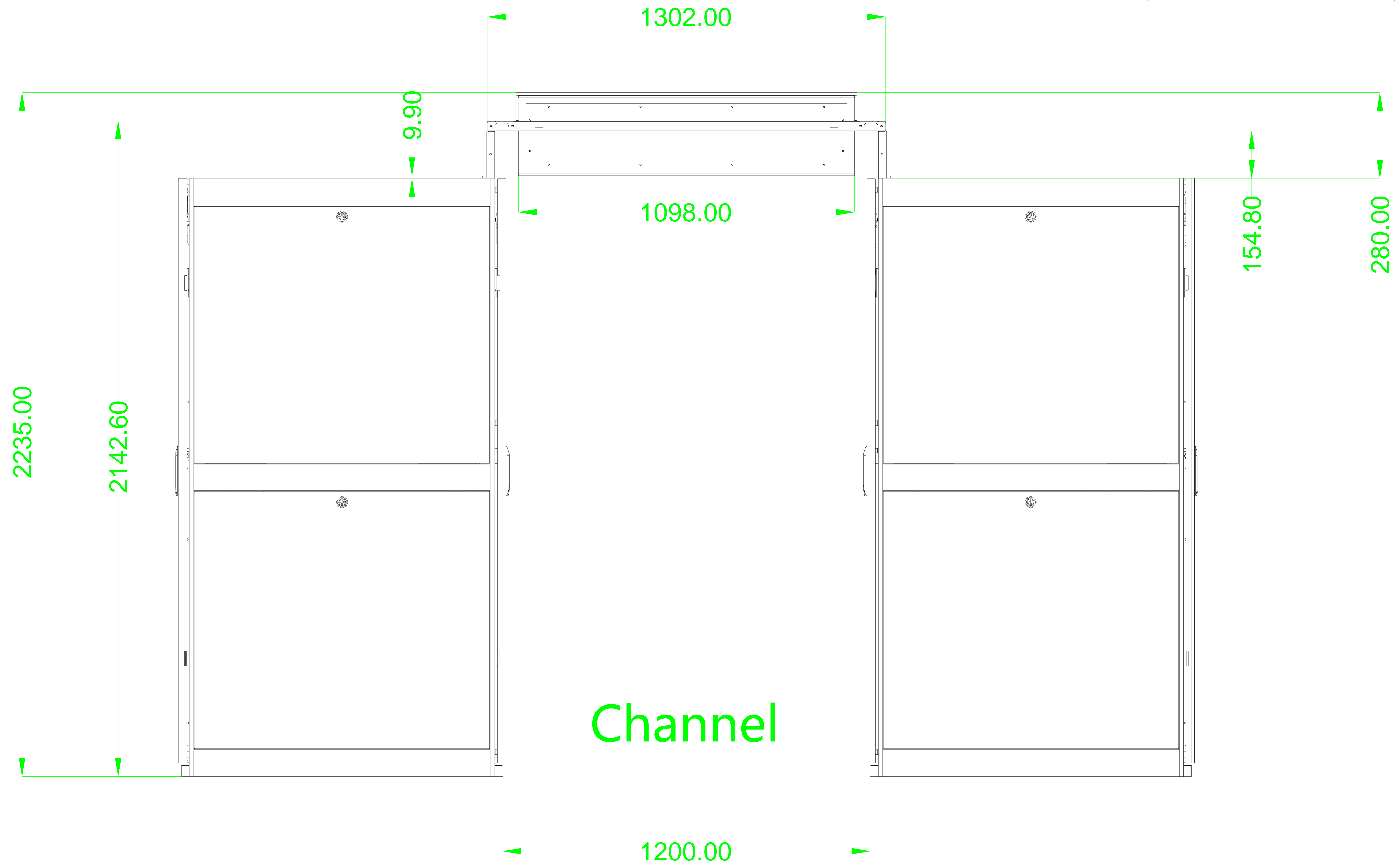
- 1.This product is double flip top window, flipping gravity ;
- 2.Skylights in power is in a closed state, when the fire-fighting system starts electromagnet power, relying on its own gravity flip top window open ;
- 3.Skylights use 4mm high-temperature flame-retardant PC.

THIS DRAWING AND SPECIFICATIONS HEREIN ARE THE PROPERTY OF Rakworx AND SHALL NOT BE COPIED, REPRODUCED OR USED IN WHOLE OR IN PART, AS THE BASIS FOR THE MANUFACTURE OR SALE OF ITEMS WITHOUT WRITTEN PERMISSION FROM Rakworx. THIS DRAWING IS BASED UPON LATEST AVAILABLE INFORMATION AND IS SUBJECT TO CHANGE WITHOUT NOTICE.

Name	Date	Description	Drawing No.
Drawn by Owen.Wu	20 Jan , 2016	Cold Aisle Containment	A-TD-0001
Approved by Zunzheng.Gu	22 Jan , 2016		
		Scale : 1:1	Unit :mm
		Third angle projection	Sheet: 1 OF 7

Tolerances/Tolerance ISO 2768-M	>0.5=3	±0.1
	>3=6	±0.1
	>6=30	±0.2
	>30=120	±0.3
	>120=400	±0.5
>400=1000	±0.8	

ECN/ECO			
REV.	DATE	Disp.	Sign
-	-	-	-
-	-	-	-



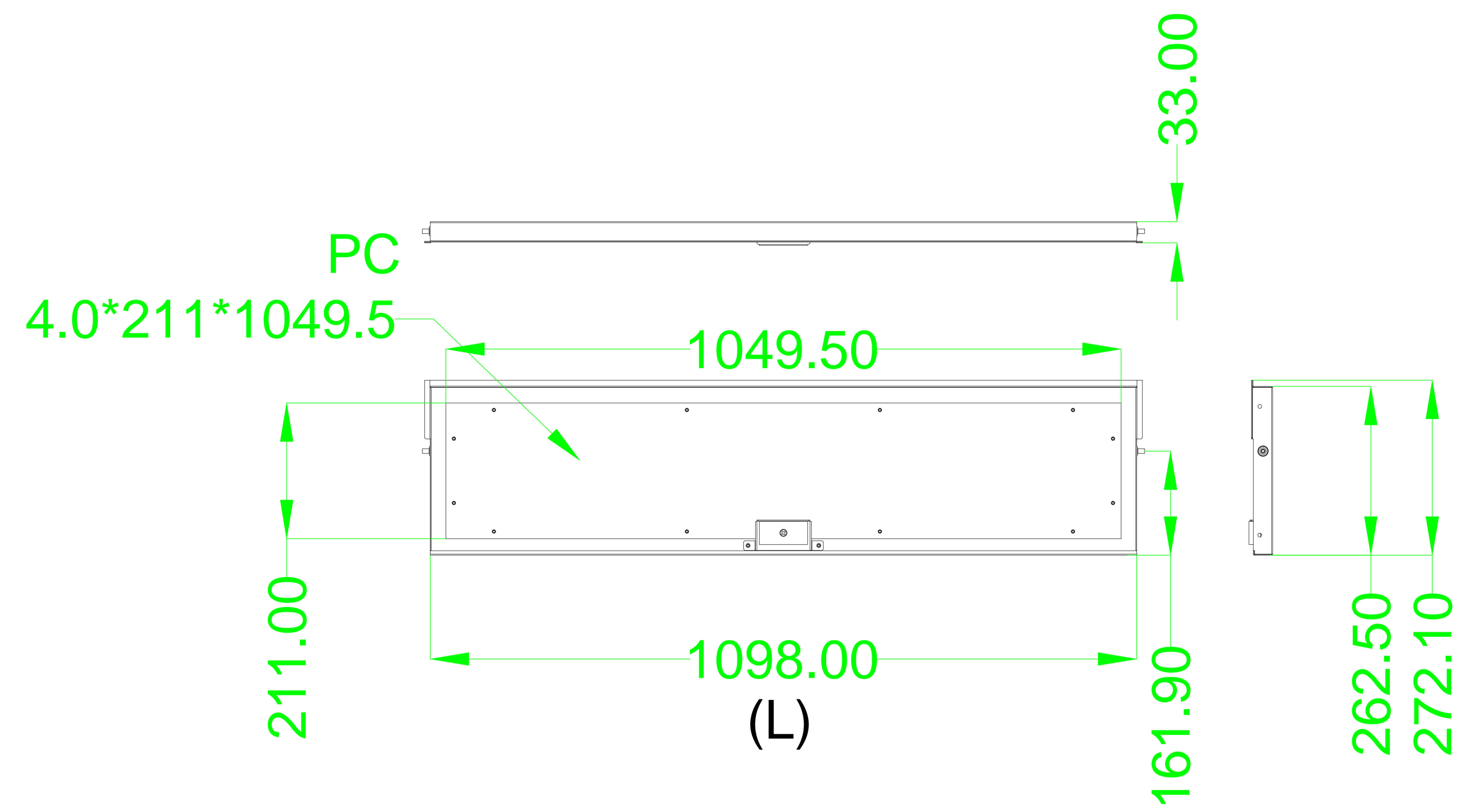
Channel

Remarks section:  
 1.This product applies to 1.2 meters to 2.0 meters wide channel ;  
 2.After the window opens with the top of the cabinet top with sufficient clearance to open the cabinet door can be flexible.

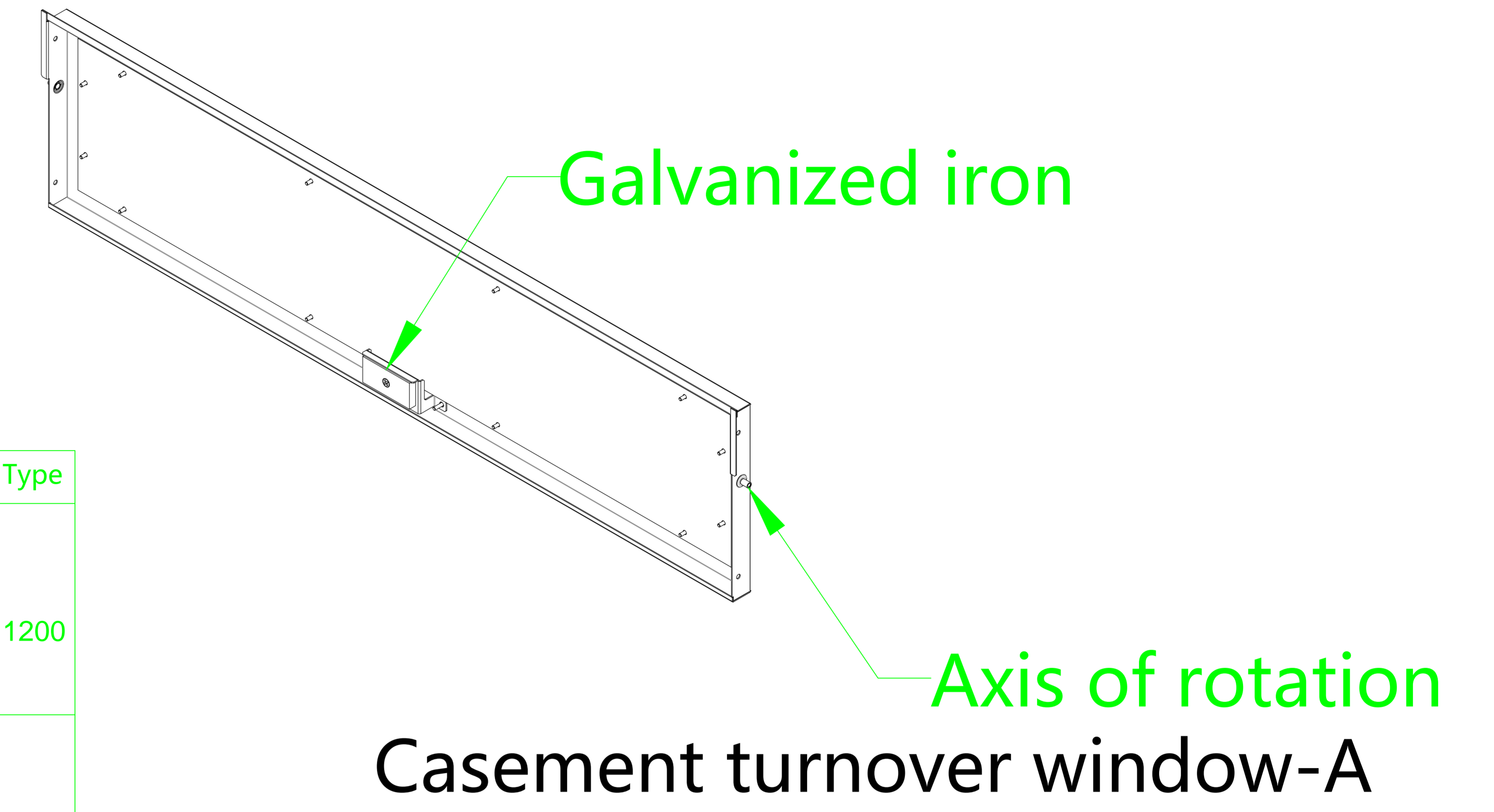
THIS DRAWING AND SPECIFICATIONS HEREIN ARE THE PROPERTY OF Rakworx AND SHALL NOT BE COPIED, REPRODUCED OR USED IN WHOLE OR IN PART, AS THE BASIS FOR THE MANUFACTURE OR SALE OF ITEMS WITHOUT WRITTEN PERMISSION FROM Rakworx. THIS DRAWING IS BASED UPON LATEST AVAILABLE INFORMATION AND IS SUBJECT TO CHANGE WITHOUT NOTICE.

Name	Date	Description	Drawing No.
Drawn by Owen.Wu	20 Jan , 2016	Cold Aisle Containment	A-TD-0001
Approved by Zunzheng.Gu	22 Jan , 2016		
		Scale : 1:1	Unit :mm
		Third angle projection	Sheet: 2 OF 7

ECN/ECO			
REV.	DATE	Disp.	Sign
-	-	-	-
-	-	-	-



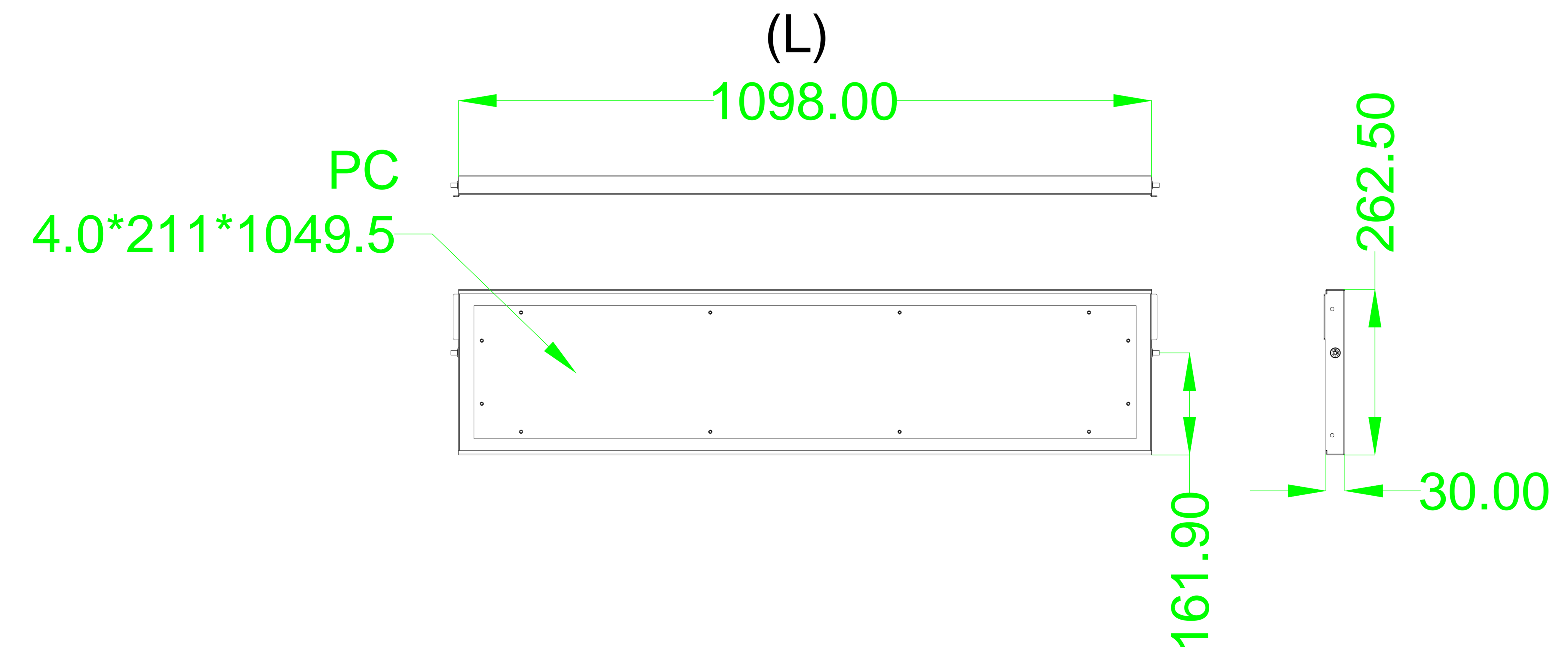
NO	P / N	L	Type
1	ACR 1200-R	1098	1200
2	ACR 1200-R	1098	
3	ACR 1200-R	1098	
4	ACR 1200-R	1098	
5	ACR 1800-R	1698	1800
6	ACR 1800-R	1698	
7	ACR 1800-R	1698	
8	ACR 1800-R	1698	



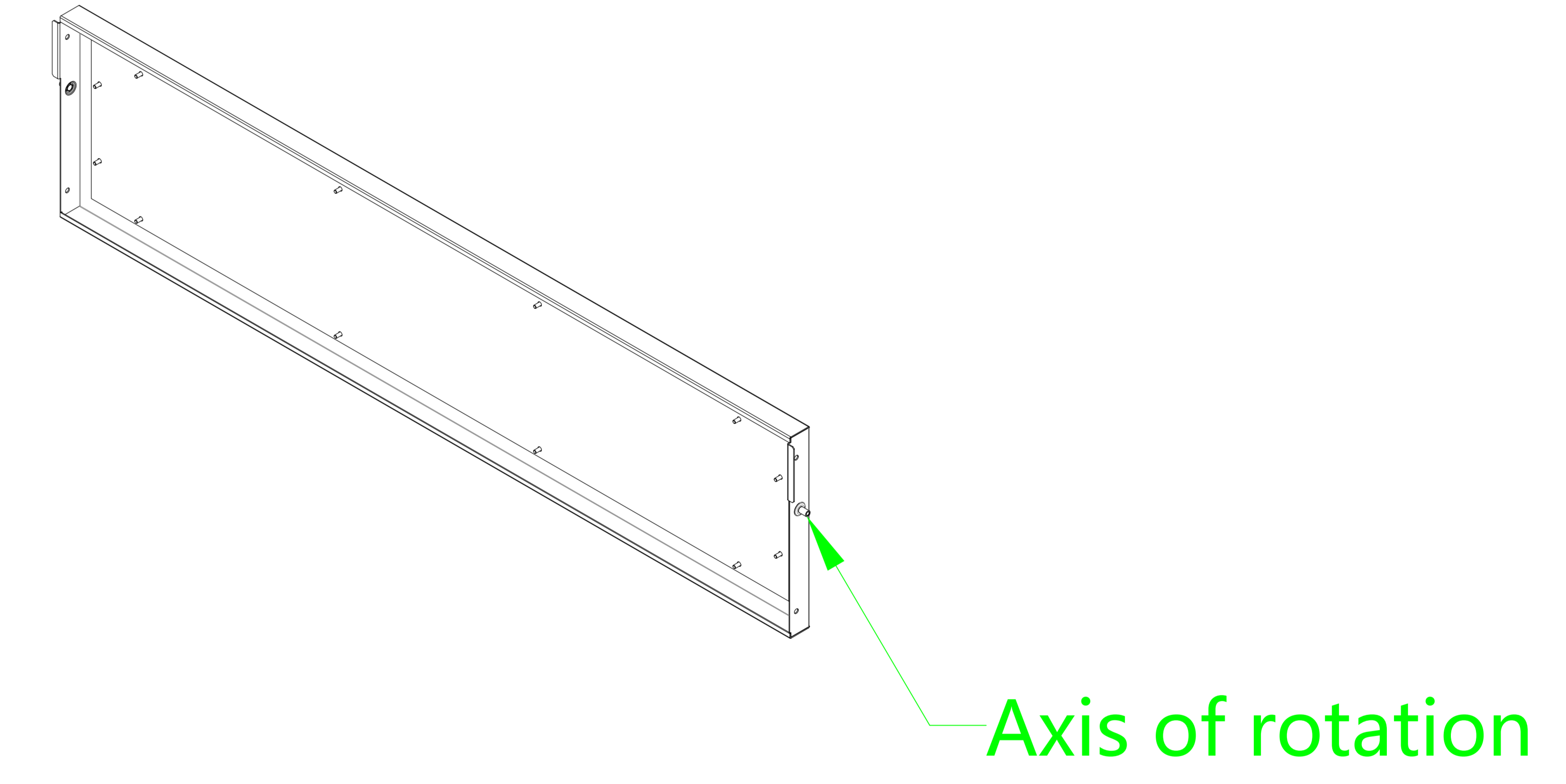
Casement turnover window-A

>400=1000	±0.8
>120=400	±0.5
>30=120	±0.3
>6=30	±0.2
>3=6	±0.1
>0.5=3	±0.1

Toleranss/Tolerance  
ISO 2768-M



NO	P / N	L	Type
1	ACE 1200	1302	1200
2	ACE 1200	1302	
3	ACE 1200	1302	
4	ACE 1200	1302	
5	ACE 1800	1902	1800
6	ACE 1800	1902	
7	ACE 1800	1902	
8	ACE 1800	1902	



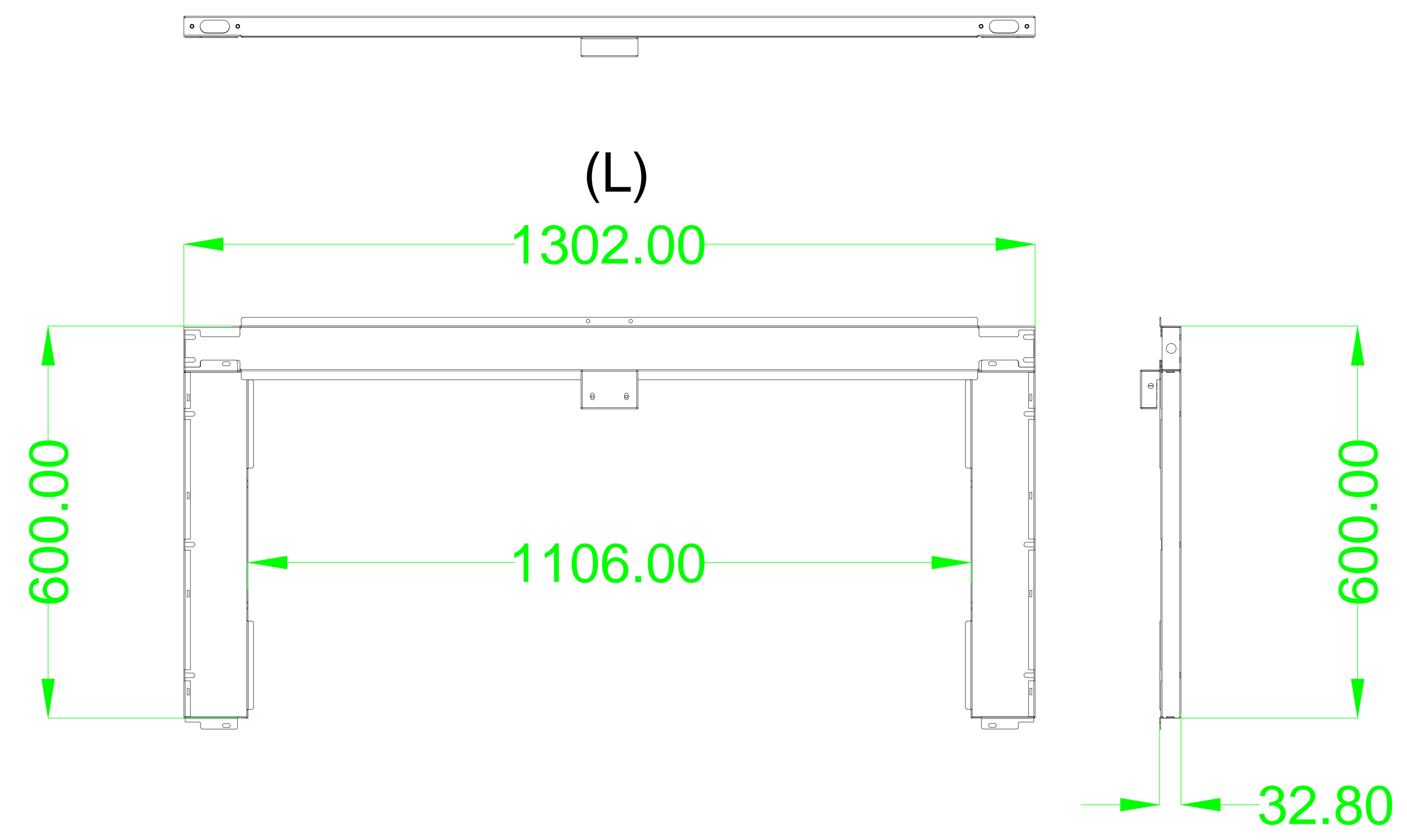
Casement turnover window-B

Remarks section:  
1.Double window use fire resistance to high temperature materials ;  
2.Different width channels to choose the length of the window .

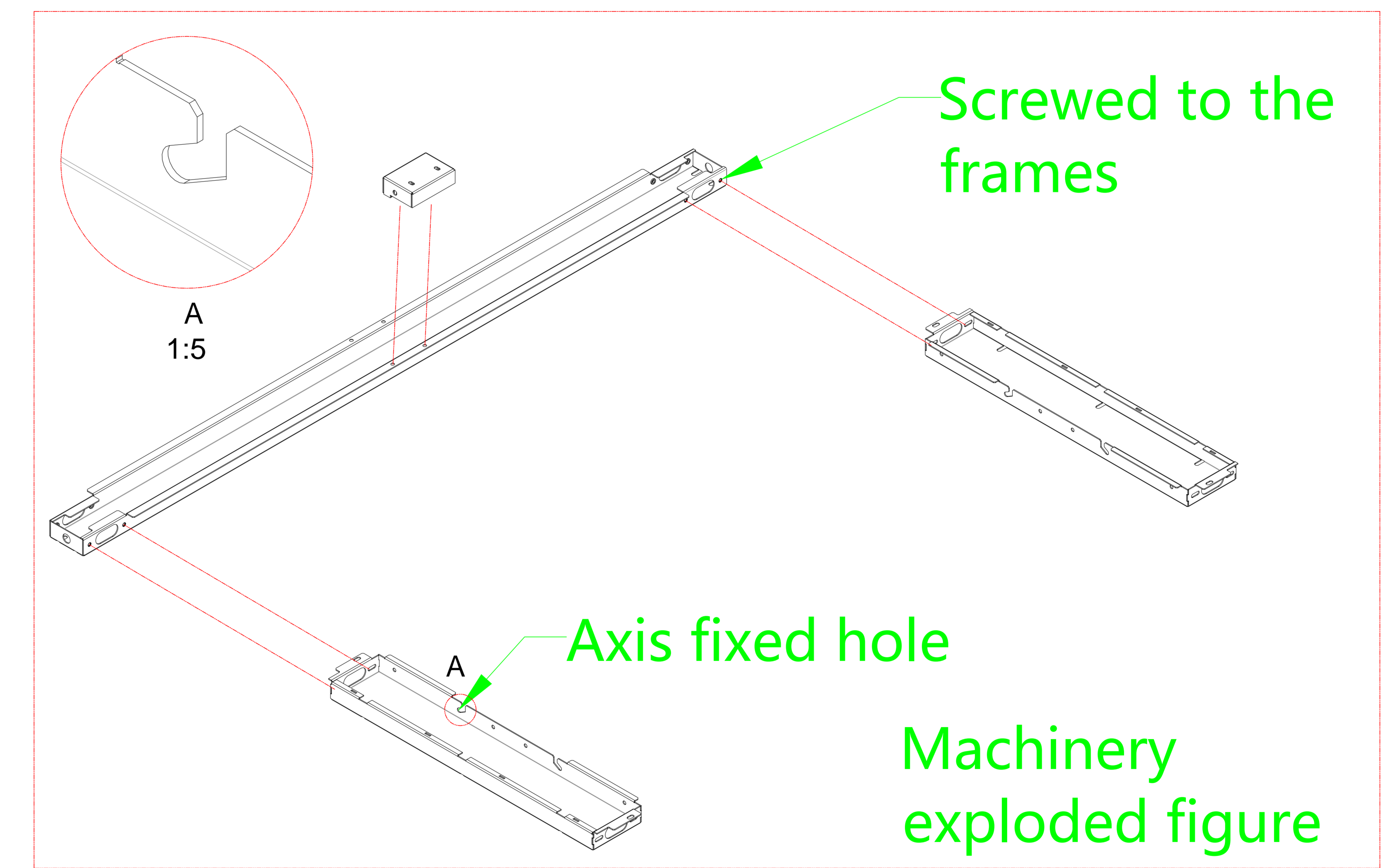
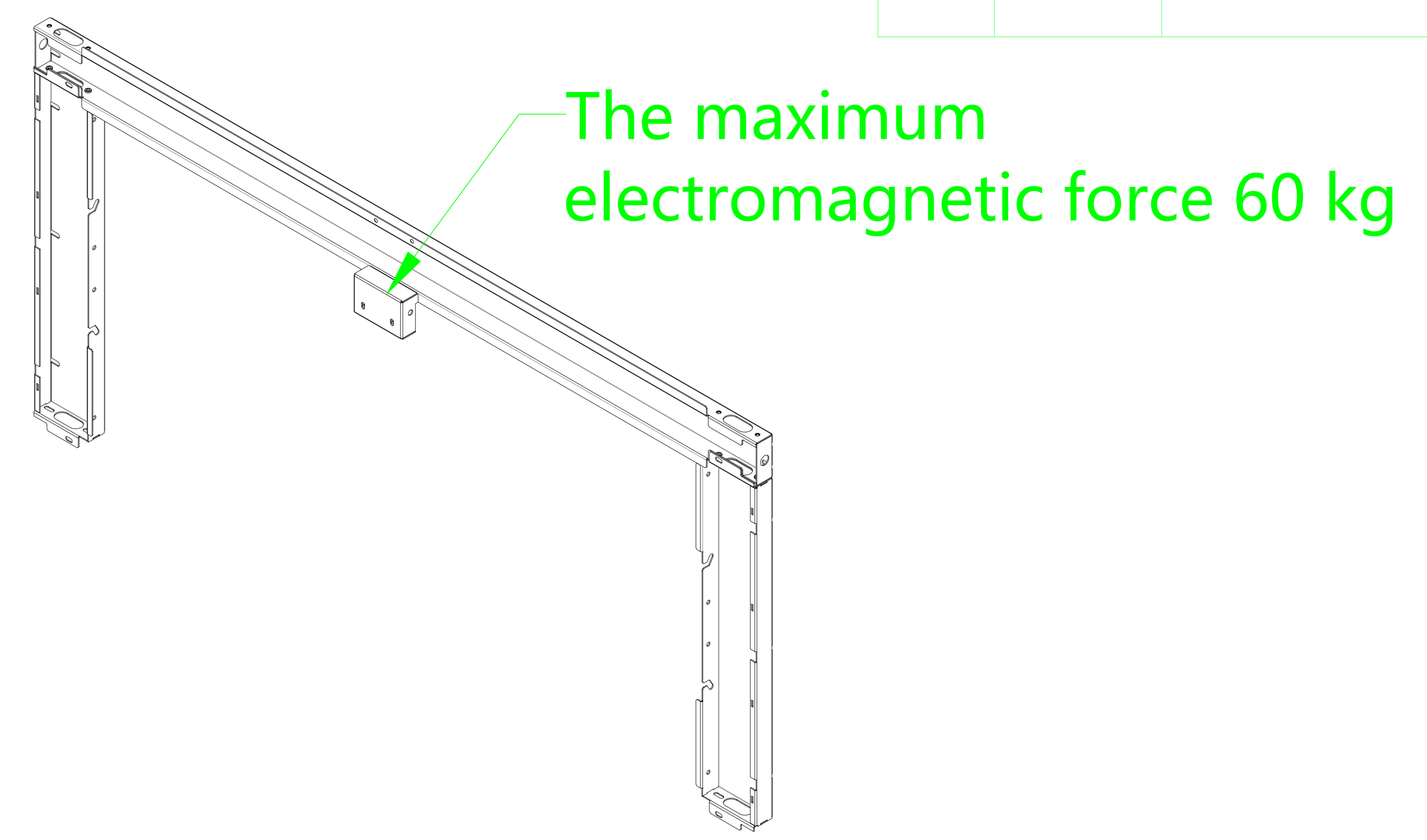
THIS DRAWING AND SPECIFICATIONS HEREIN ARE THE PROPERTY OF Rakworx AND SHALL NOT BE COPIED, REPRODUCED OR USED IN WHOLE OR IN PART, AS THE BASIS FOR THE MANUFACTURE OR SALE OF ITEMS WITHOUT WRITTEN PERMISSION FROM Rakworx. THIS DRAWING IS BASED UPON LATEST AVAILABLE INFORMATION AND IS SUBJECT TO CHANGE WITHOUT NOTICE.

Name	Date	Description	Drawing No.
Drawn by Owen.Wu	20 Jan , 2016	Cold Aisle Containment	A-TD-0001
Approved by Zunzheng.Gu	22 Jan , 2016		
		Scale : 1:1	Unit :mm
		Third angle projection	Sheet: 3 OF 7

ECN/ECO			
REV.	DATE	Desp.	Sign
-	-	-	-
-	-	-	-



NO	P / N	L	Type
1	ACE 1200	1302	1200
2	ACE 1200	1302	
3	ACE 1200	1302	
4	ACE 1200	1302	
5	ACE 1800	1902	1800
6	ACE 1800	1902	
7	ACE 1800	1902	
8	ACE 1800	1902	



>400=1000	±0.8
>120=400	±0.5
>30=120	±0.3
>6=30	±0.2
>3=6	±0.1
>0.5=3	±0.1

Toleranss/Tolerance  
ISO 2768-M

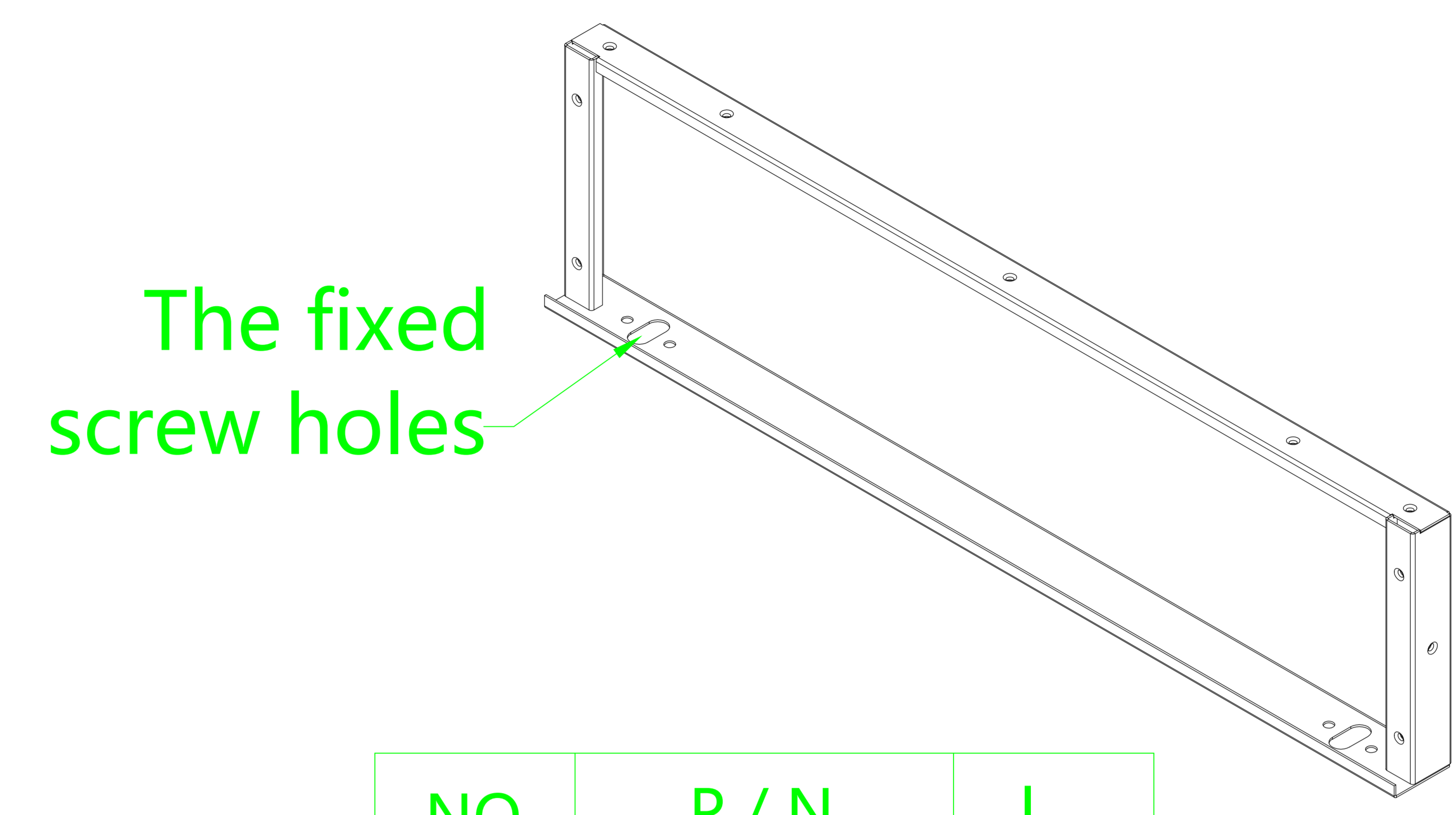
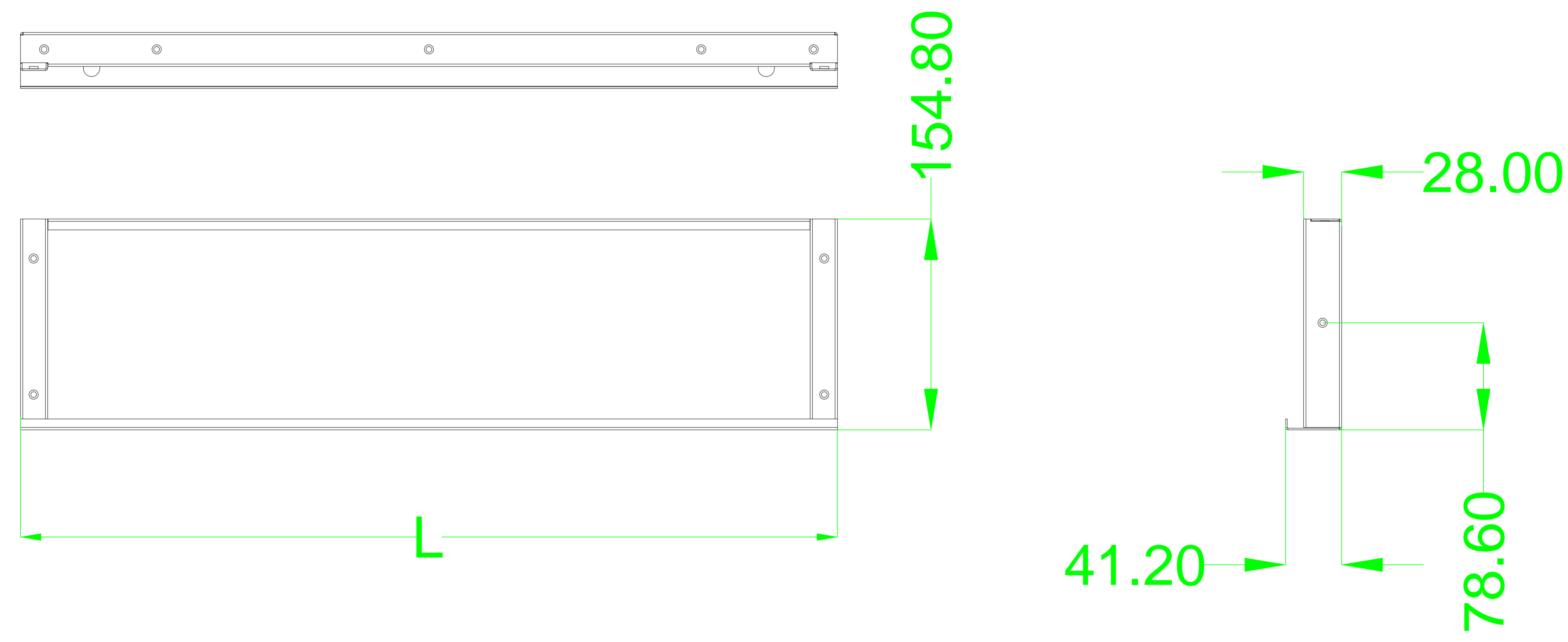
Remarks section:  
1.Ear with screws on the steel frame ;  
2.Different width of channels with different length of rail.

THIS DRAWING AND SPECIFICATIONS HEREIN ARE THE PROPERTY OF Rakworx AND SHALL NOT BE COPIED, REPRODUCED OR USED IN WHOLE OR IN PART, AS THE BASIS FOR THE MANUFACTURE OR SALE OF ITEMS WITHOUT WRITTEN PERMISSION FROM Rakworx. THIS DRAWING IS BASED UPON LATEST AVAILABLE INFORMATION AND IS SUBJECT TO CHANGE WITHOUT NOTICE.

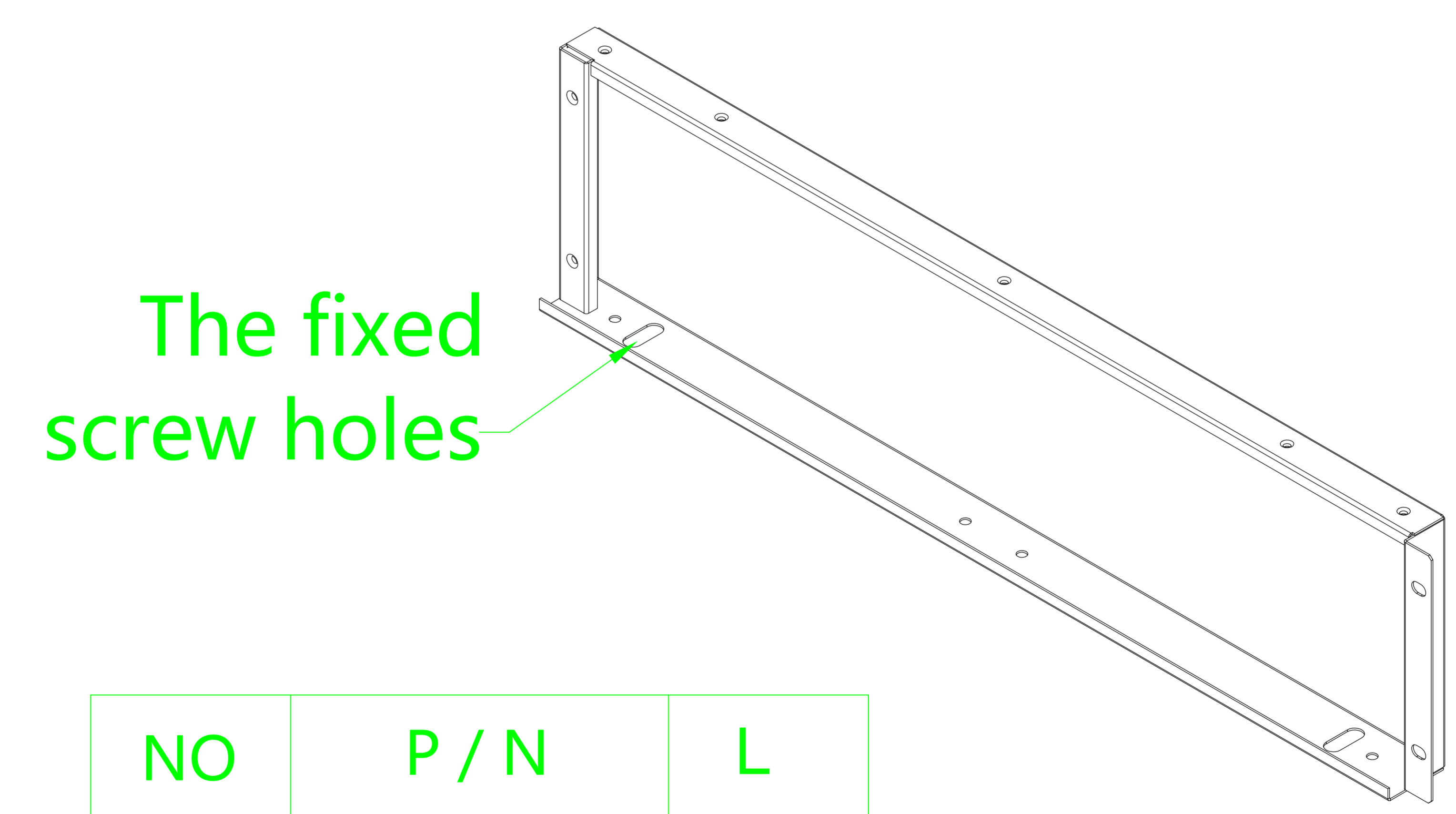
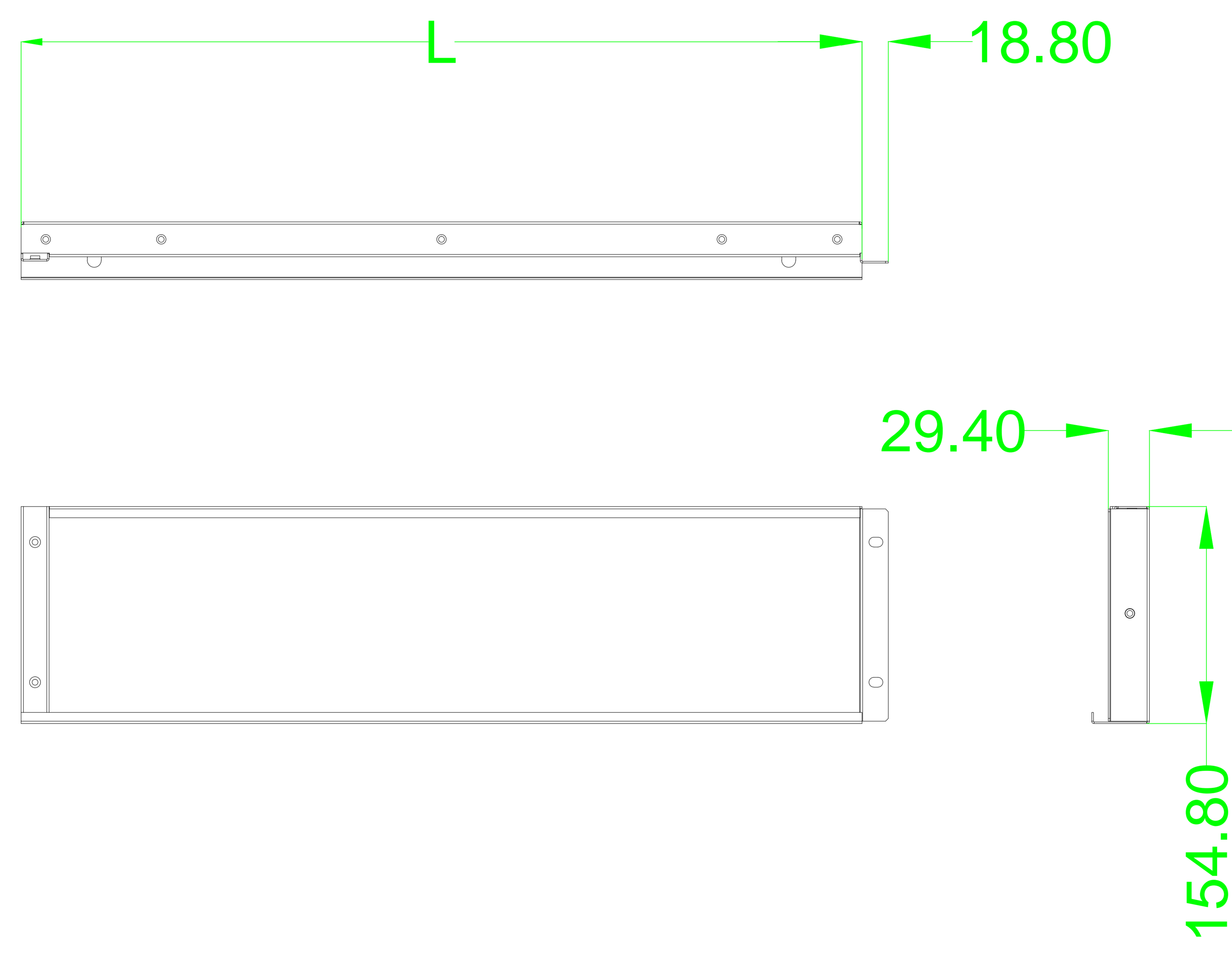
Name	Date	Description	Drawing No.
Drawn by Owen.Wu	20 Jan , 2016	Cold Aisle Containment	A-TD-0001
Approved by Zunzheng.Gu	22 Jan , 2016		Unit :mm
		Scale : 1:1	Sheet: 4 OF 7
		Third angle projection	

Tolerances/Tolerance ISO 2768-M	>0.5=3	±0.1
	>3=6	±0.1
	>6=30	±0.2
	>30=120	±0.3
>120=400	±0.5	
>400=1000	±0.8	

ECN/ECO			
REV.	DATE	Disp.	Sign
-	-	-	-
-	-	-	-



NO	P / N	L
1	ACCA 1-300	300
2	ACCA 2-600	600
3	ACCA 3-800	800



NO	P / N	L
1	ACCB 1-300	300
2	ACCB 2-600	600
3	ACCB 3-800	800

Remarks section:  
 1.High cushion block and cabinets with screws ;  
 2.Padding block each other using screws.

THIS DRAWING AND SPECIFICATIONS HEREIN ARE THE PROPERTY OF Rakworx AND SHALL NOT BE COPIED, REPRODUCED OR USED IN WHOLE OR IN PART, AS THE BASIS FOR THE MANUFACTURE OR SALE OF ITEMS WITHOUT WRITTEN PERMISSION FROM Rakworx. THIS DRAWING IS BASED UPON LATEST AVAILABLE INFORMATION AND IS SUBJECT TO CHANGE WITHOUT NOTICE.

	Name	Date
Drawn by	Owen.Wu	20 Jan , 2016
Approved by	Zunzheng.Gu	22 Jan , 2016

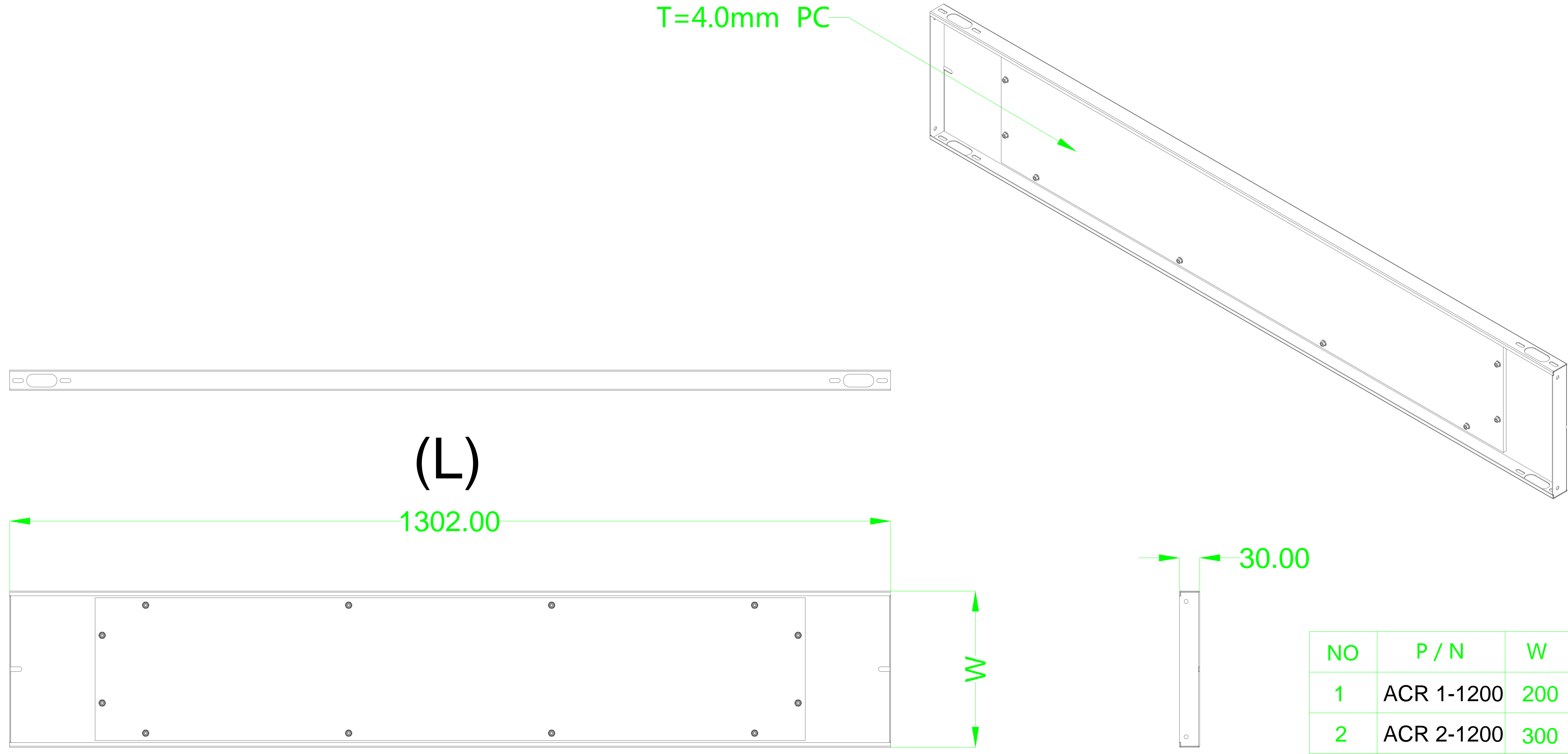


Description	Drawing No.
Cold Aisle Containment	A-TD-0001
Scale : 1:1	Unit :mm
Third angle projection	Sheet: 5 OF 7

Tolerances/Tolerance  
ISO 2768-M

>0.5=3 ±0.1	>3=6 ±0.1	>6=30 ±0.2	>30=120 ±0.3	>120=400 ±0.5	>400=1000 ±0.8
----------------	--------------	---------------	-----------------	------------------	-------------------

ECN/ECO			
REV.	DATE	Desp.	Sign
-	-	-	-
-	-	-	-



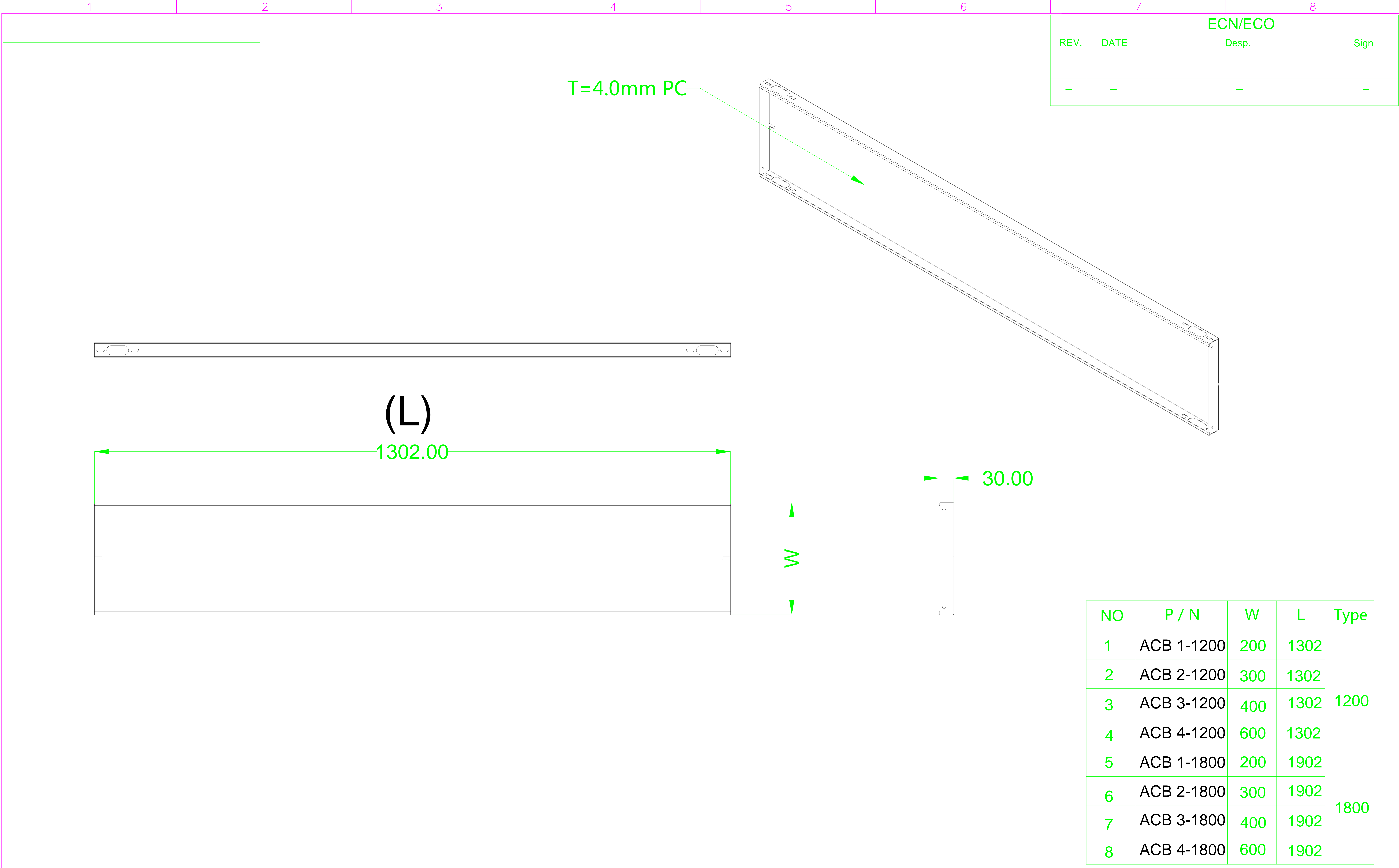
NO	P / N	W	L	Type
1	ACR 1-1200	200	1302	1200
2	ACR 2-1200	300	1302	
3	ACR 3-1200	400	1302	
4	ACR 4-1200	600	1302	
5	ACR 1-1800	200	1902	1800
6	ACR 2-1800	300	1902	
7	ACR 3-1800	400	1902	
8	ACR 4-1800	600	1902	

Remarks section:  
1.Fixed window with fire resistance to high temperature materials.

THIS DRAWING AND SPECIFICATIONS HEREIN ARE THE PROPERTY OF Rakworx AND SHALL NOT BE COPIED, REPRODUCED OR USED IN WHOLE OR IN PART, AS THE BASIS FOR THE MANUFACTURE OR SALE OF ITEMS WITHOUT WRITTEN PERMISSION FROM Rakworx. THIS DRAWING IS BASED UPON LATEST AVAILABLE INFORMATION AND IS SUBJECT TO CHANGE WITHOUT NOTICE.

Name	Date	Description	Drawing No.
Drawn by Owen.Wu	20 Jan , 2016	Cold Aisle Containment	A-TD-0001
Approved by Zunzheng.Gu	22 Jan , 2016		Unit :mm
		Scale : 1:1	Sheet: 6 OF 7
		Third angle projection	

Tolerances/Tolerance ISO 2768-M	>0.5=3	±0.1
	>3=6	±0.1
	>6=30	±0.2
	>30=120	±0.3
	>120=400	±0.5
	>400=1000	±0.8



ECN/ECO			
REV.	DATE	Desp.	Sign
-	-	-	-
-	-	-	-

NO	P / N	W	L	Type
1	ACB 1-1200	200	1302	1200
2	ACB 2-1200	300	1302	
3	ACB 3-1200	400	1302	
4	ACB 4-1200	600	1302	
5	ACB 1-1800	200	1902	1800
6	ACB 2-1800	300	1902	
7	ACB 3-1800	400	1902	
8	ACB 4-1800	600	1902	

Remarks section:  
1.Fixed window lighting equipment can be installed  
smoke temperature and humidity.

THIS DRAWING AND SPECIFICATIONS HEREIN ARE THE PROPERTY OF Rakworx AND SHALL NOT BE COPIED, REPRODUCED OR USED IN WHOLE OR IN PART, AS THE BASIS FOR THE MANUFACTURE OR SALE OF ITEMS WITHOUT WRITTEN PERMISSION FROM Rakworx. THIS DRAWING IS BASED UPON LATEST AVAILABLE INFORMATION AND IS SUBJECT TO CHANGE WITHOUT NOTICE.

	<b>Name</b>	<b>Date</b>	<b>Description</b>	<b>Drawing No.</b>
Drawn by	Owen.Wu	20 Jan , 2016	Cold Aisle Containment	A-TD-0001
Approved by	Zunzheng.Gu	22 Jan , 2016		Unit :mm
			Scale : 1:1	Sheet: 7 OF 7
			Third angle projection	